

# EBTS. DRAFT BEER TOWERS

CATALOGUE



2024

EBTS D.O.O.  
Ljubljanska 45D  
Kamnik 1241  
Slovenia  
EU

CONTACT US:  
[info@ebts.si](mailto:info@ebts.si)  
+386(0)51 682 860  
+386(0)1 830 11 15  
[www.draftbeertowers.com](http://www.draftbeertowers.com)

draft beer towers manufacturer

# EBTS.

## ABOUT US

We are proud of our 29 years of experience in the production of dispensing systems. We make sure that every bar gets a suitable dispenser.

Products are made only from best quality stainless steel, copper and brass. With developing new methods and processes in production the dispensers are easy to install, use and maintain.

Appearance represents your brand. We love to play with design. Adding wood and acrylic for modern and attractive look. Using latest techniques of engraving, laser printing, wrapping and water transfer to make the look different and your brand visible.

welcome to our world of  
dispensing towers



# Industrial Line

A very popular style that impresses again and again.

Robust flanges and huge decorative screws are the trademark of the Industrial Line. Many alphabetical shapes.



## Colours

- SS- Stainless steel
- PVD Gold
- PVD Copper
- PC- Powder Coated- RAL to select
- WTP- Water transfer printing



## Advertising

- Front Light
- Lollipop Light
- Laser Cut Light
- Digital Light
- Engraved Branding
- Laser Printed
- Wrapped Branding
- Tap Handles



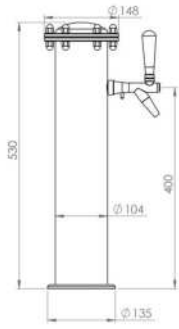
## Mounting

- Mounting Tube
- Mounting Screw
- Mounting Clamp



## 123 Cheers!

- Tap of your Choice
- Water-cooled Lines
- Drainer- Dimensions to select

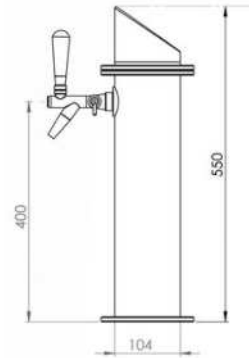


## INDUSTRIAL I

1-3 TAPS

CUSTOMISE: COLOUR, SIZE, FIXATION

sku I1

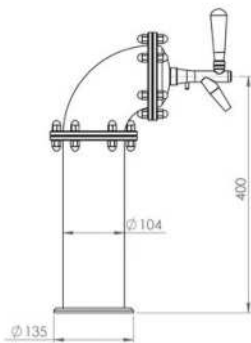


## INDUSTRIAL I2

1-3 TAPS

CUSTOMISE: COLOUR, SIZE, FIXATION

sku I2



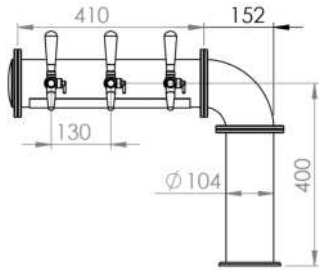
## INDUSTRIAL J

1-2 TAPS

CUSTOMISE: COLOUR, SIZE, FIXATION

sku IJ

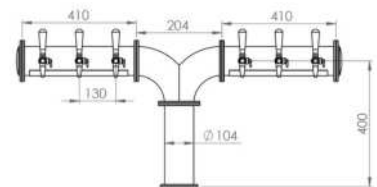




## INDUSTRIAL L

2-6 TAPS  
CUSTOMISE: COLOUR, SIZE, FIXATION

sku IL



## INDUSTRIAL Y

2+2, 3+3, 4+4 TAPS  
CUSTOMISE: COLOUR, SIZE, FIXATION

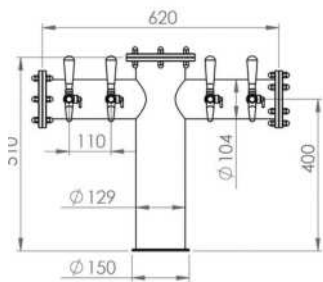
sku IY



## INDUSTRIAL YY

2+2+2, 3+3+3, 4+4+4 TAPS  
CUSTOMISE: COLOUR, SIZE, FIXATION

sku IYY

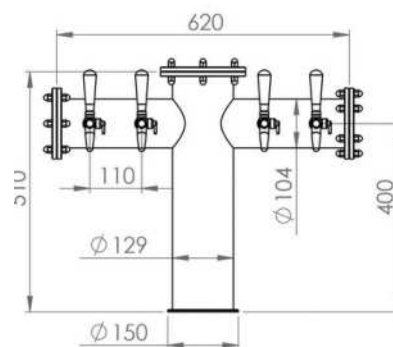


### INDUSTRIAL +

4-10TAPS

CUSTOMISE: COLOUR, SIZE, FIXATION

sku I+

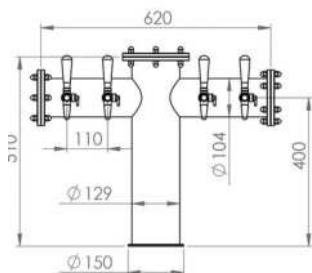


### INDUSTRIAL +3

4-10TAPS

CUSTOMISE: COLOUR, SIZE, FIXATION

sku I+3



### INDUSTRIAL +2

3-9TAPS

CUSTOMISE: COLOUR, SIZE, FIXATION

sku I+2

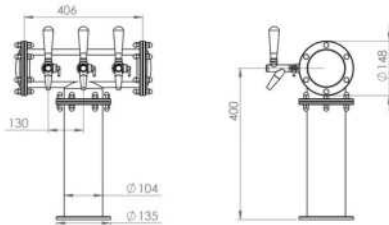


## INDUSTRIAL T

2-6TAPS

CUSTOMISE: COLOUR, SIZE, FIXATION

sku IT

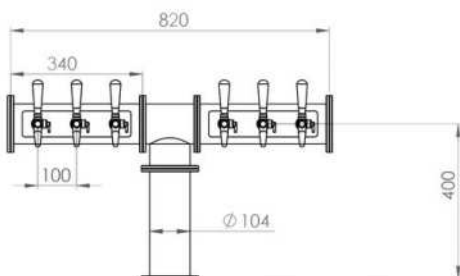


## INDUSTRIAL TT

6-18TAPS

CUSTOMISE: COLOUR, SIZE, FIXATION

sku ITT



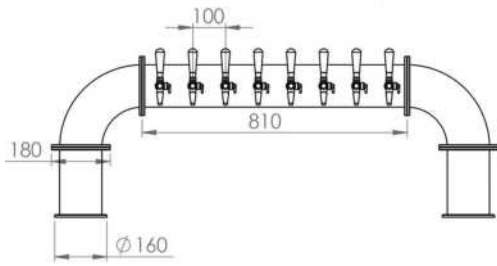
## INDUSTRIAL T2

2+2, 3+3, 4+4TAPS

CUSTOMISE: COLOUR, SIZE, FIXATION

sku IT2

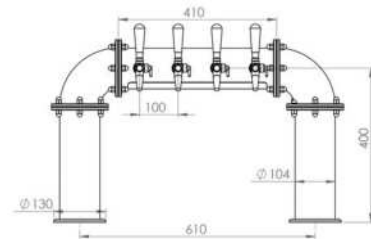




## INDUSTRIAL U-XL Ø129

6-16 TAPS  
CUSTOMISE: COLOUR, SIZE, FIXATION

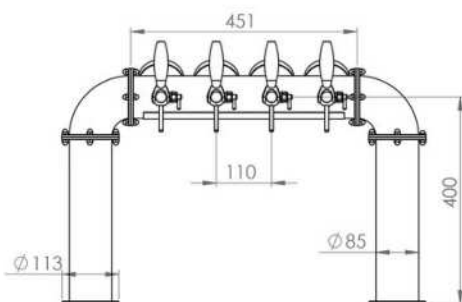
sku IUXL



## INDUSTRIAL U-M Ø104

4-12 TAPS  
CUSTOMISE: COLOUR, SIZE, FIXATION

sku IUM



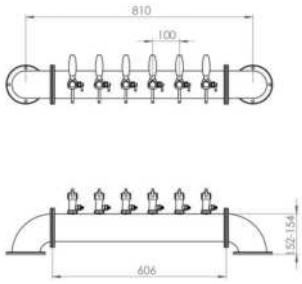
## INDUSTRIAL U-S Ø85

4-6 TAPS  
CUSTOMISE: COLOUR, SIZE, FIXATION

sku IUS



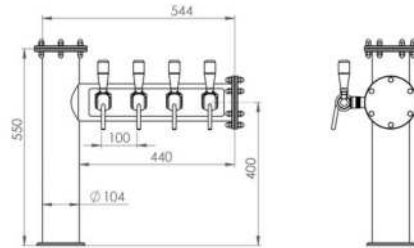




### INDUSTRIAL SHORT U

3-12 TAPS  
 CUSTOMISE: COLOUR, SIZE, FIXATION

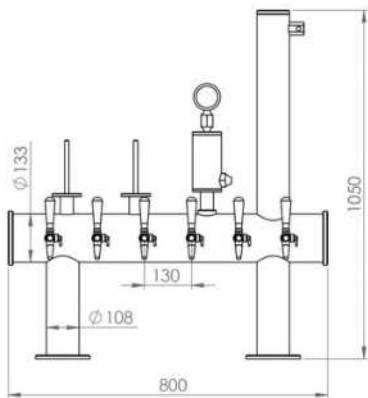
sku ISU



### INDUSTRIAL L2

2-6 TAPS  
 CUSTOMISE: COLOUR, SIZE, FIXATION

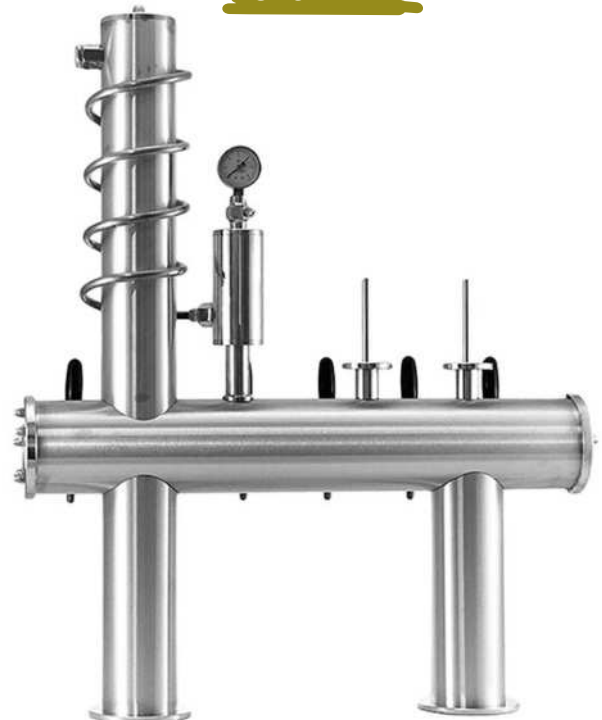
sku IL2



### INDUSTRIAL TEXAS

4-12 TAPS  
 CUSTOMISE: COLOUR, SIZE, FIXATION

sku ITEX



# Basic Line

A true classic that looks good in any setting. Clean, straight lines and numerous advertising options make the Basic Line attractive.



## Colours

- SS- Stainless steel
- PVD Gold
- PVD Copper
- PC- Powder Coated- RAL to select
- WTP-Water transfer printing



## Advertising

- Front Light
- Lollipop Light
- Laser Cut Light
- Digital Light
- Engraved Branding
- Laser Printed
- Wraped Branding
- Tap Handles



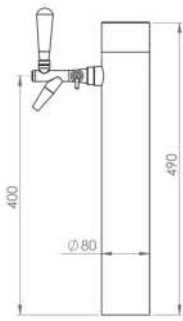
## Mounting

- Mounting Tube
- Mounting Screw
- Mounting Clamp



## 123 Cheers!

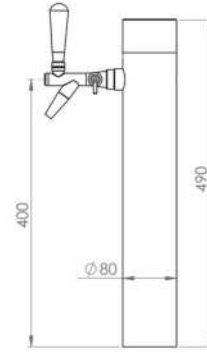
- Tap of your Choice
- Water-cooled Lines
- Drainer- Dimensions to select



### BASIC I XS-L(Ø80-Ø114)

1-3 TAPS  
CUSTOMISE: COLOUR, SIZE, FIXATION

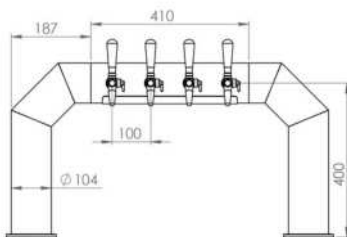
sku BIXS



### BASIC I XS-L(Ø80-114)

1-3TAPS  
CUSTOMISE: COLOUR, SIZE, FIXATION

sku BIM

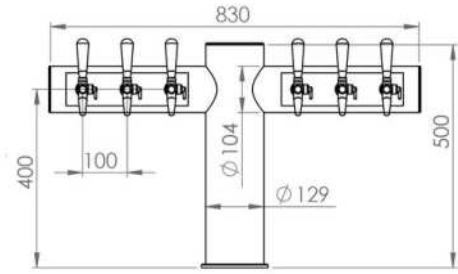


### BASIC U

2-6TAPS  
CUSTOMISE: COLOUR, SIZE, FIXATION

sku BU

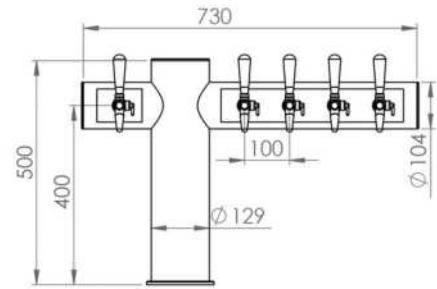




**BASIC +**

2+2,3+3,4+4TAPS  
CUSTOMISE: COLOUR, SIZE, FIXATION

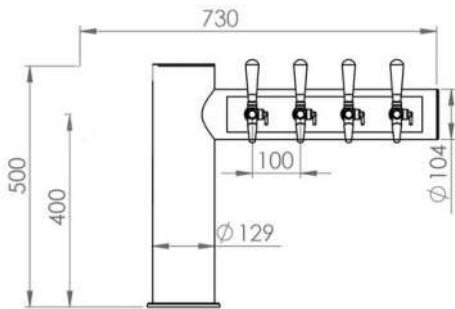
sku B+



**BASIC +2**

3-8TAPS  
CUSTOMISE: COLOUR, SIZE, FIXATION

sku B+2

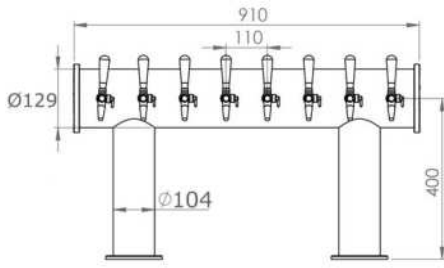


**BASIC L**

2-6TAPS  
CUSTOMISE: COLOUR, SIZE, FIXATION

sku BL

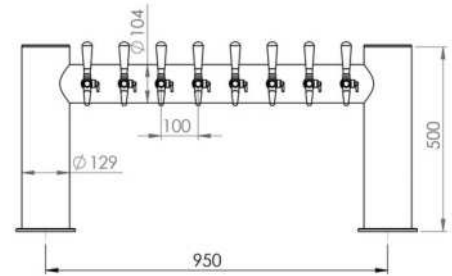
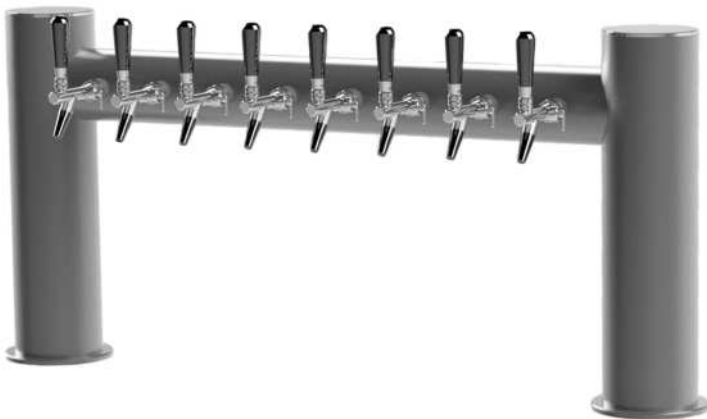




## BASIC TT

8-20TAPS  
CUSTOMISE: COLOUR, SIZE, FIXATION

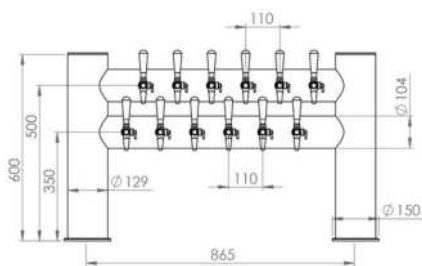
sku BTT



## BASIC H

8-20TAPS  
CUSTOMISE: COLOUR, SIZE, FIXATION

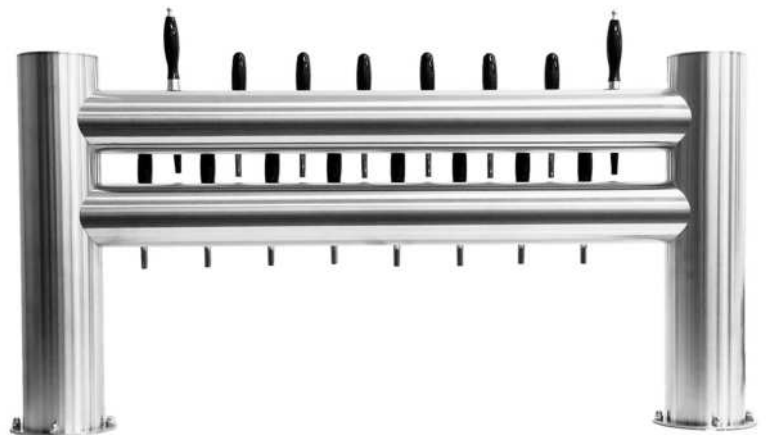
sku BH



## BASIC H2

12-24TAPS  
CUSTOMISE: COLOUR, SIZE, FIXATION

sku BH2

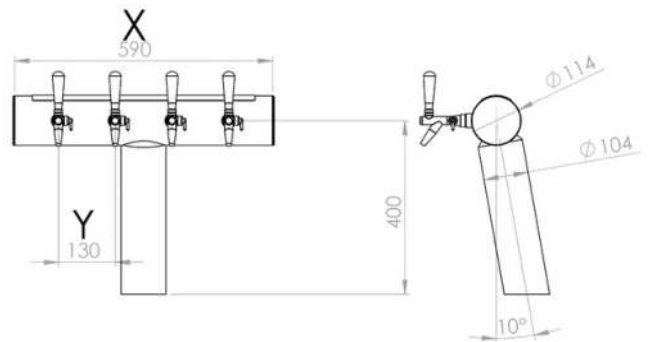




**BASIC H3**

12-24TAPS  
 CUSTOMISE: COLOUR, SIZE, FIXATION

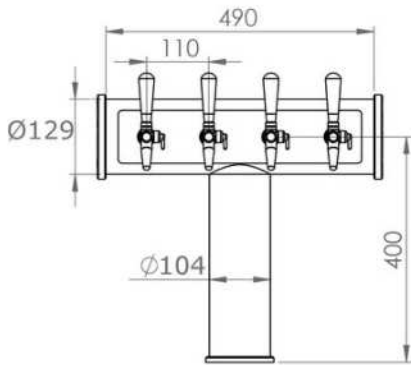
**sku BH3**



**BASIC T/**

3-8TAPS  
 CUSTOMISE: COLOUR, SIZE, FIXATION

**sku BT/**



**BASIC T**

3-8TAPS  
 CUSTOMISE: COLOUR, SIZE, FIXATION

**sku BT**



# Angled line

To a true classic we add angled finish 45degree, that turns basic style into aggressive and bold .Many alphabetical shapes and many advertising options.



## Colours

- SS- Stainless steel
- PVD Gold
- PVD Copper
- PC- Powder Coated- RAL to select
- WTP-Water transfer printing



## Advertising

- Front Light
- Lollipop Light
- Laser Cut Light
- Digital Light
- Engraved Branding
- Laser Printed
- Wraped Branding
- Tap Handels



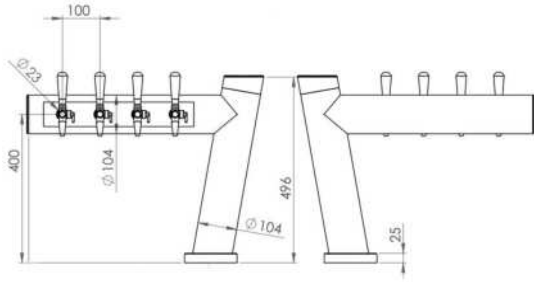
## Mounting

- Mounting Tube
- Mounting Screw
- Mounting Clamp



## 123 Cheers!

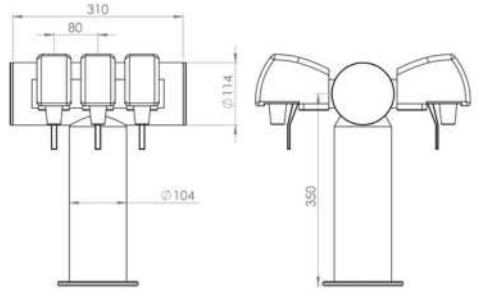
- Tap of your Choice
- Water-cooled Lines
- Drainer- Dimensions to select



**BASIC L/**

3-7 TAPS  
 CUSTOMISE: COLOUR, SIZE, FIXATION

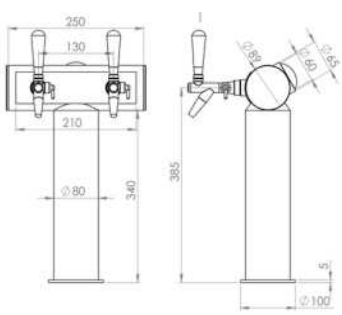
sku BL/



**BASIC DOUBLE T**

4-8TAPS  
 CUSTOMISE: COLOUR, SIZE, FIXATION

sku BDT



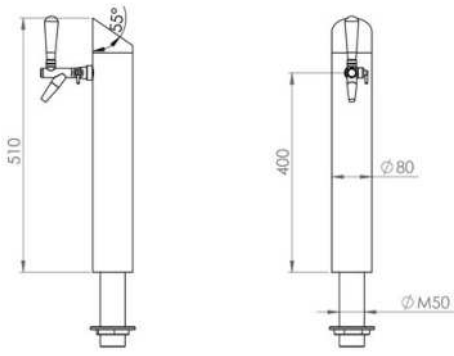
**BASIC T WATER-INTEGRATED LIGHT**

1-6TAPS  
 CUSTOMISE: COLOUR, SIZE, FIXATION

sku BTXS



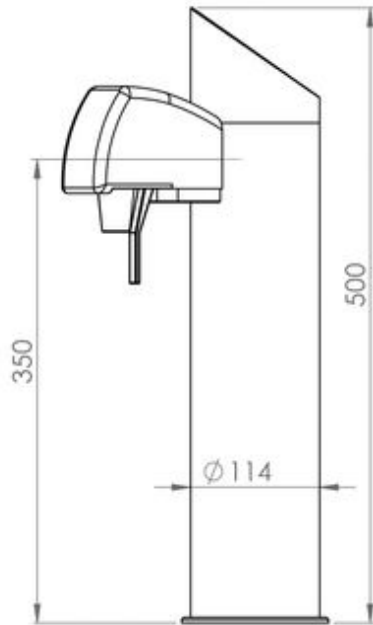




### ANGLED I-XS(Ø80)

1TAPS  
CUSTOMISE: COLOUR, SIZE, FIXATION

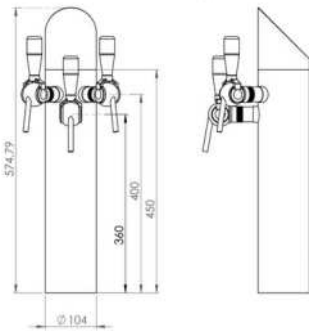
sku AIXS



### ANGLED I-M(Ø104)

1-3TAP  
CUSTOMISE: COLOUR, SIZE, FIXATION

sku AIM

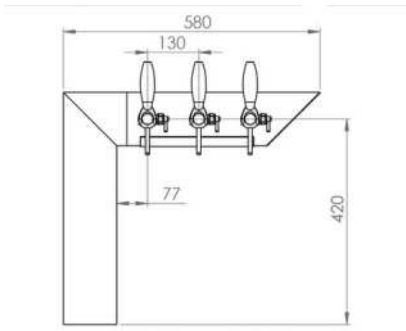


### ANGLED I-M,L (Ø104, 114)

1-3TAPS  
CUSTOMISE: COLOUR, SIZE, FIXATION

sku AIM

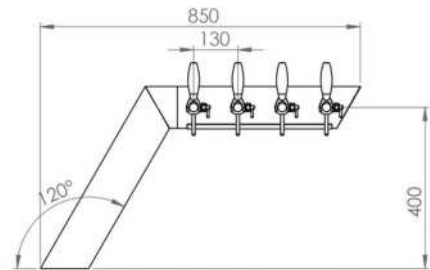




**ANGLED L**

2-6TAPS  
 CUSTOMISE: COLOUR, SIZE, FIXATION

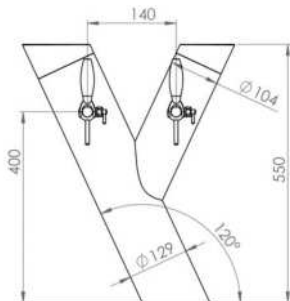
sku AL



**ANGLED L2**

2-6TAPS  
 CUSTOMISE: COLOUR, SIZE, FIXATION

sku AL2

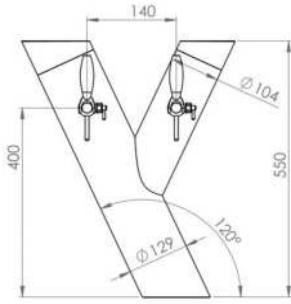


**ANGLED Y**

2TAPS  
 CUSTOMISE: COLOUR, SIZE, FIXATION

sku AY

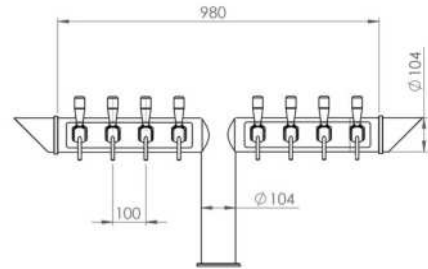
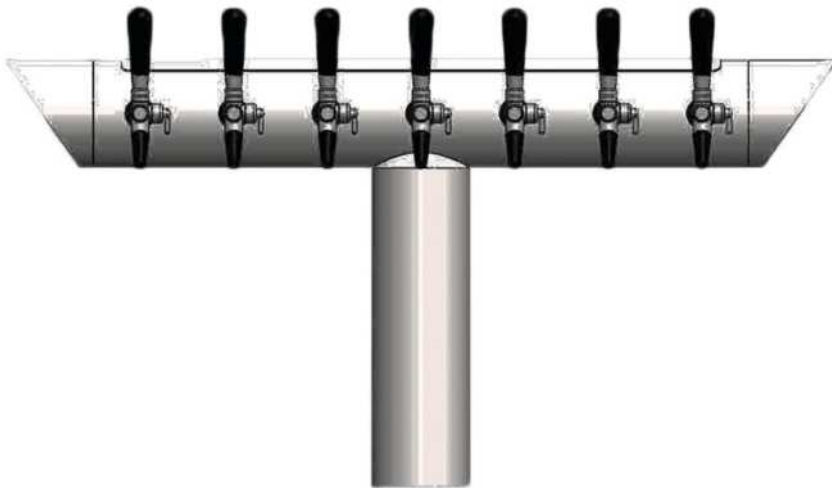




**ANGLED X**

2TAPS  
 CUSTOMISE: COLOUR, SIZE, FIXATION

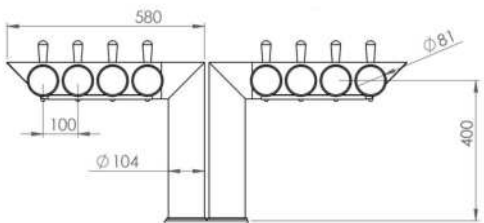
sku AX



**ANGLED T**

4-9TAPS  
 CUSTOMISE: COLOUR, SIZE, FIXATION

sku AT



**ANGLED LL**

2+2, 3+3, 4+4, 5+5TAPS  
 CUSTOMISE: COLOUR, SIZE, FIXATION

sku ALL



# Elegant Line

A modern look with thin flanges and sophisticated finishes.  
Many options of different sizes from XS-XL.



## Colours

- SS- Stainless steel
- PVD Gold
- PVD Copper
- PC- Powder Coated- RAL to select
- WTP-Water transfer printing



## Advertising

- Front Light
- Lollipop Light
- Laser Cut Light
- Digital Light
- Engraved Branding
- Laser Printed
- Wrapped Branding
- Tap Handels



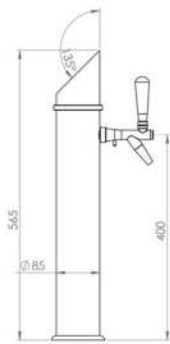
## Mounting

- Mounting Tube
- Mounting Screw
- Mounting Clamp



## 123 Cheers!

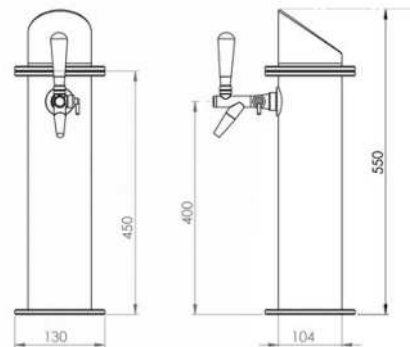
- Tap of your Choice
- Water-cooled Lines
- Drainer- Dimensions to select



## ELEGANT I-XS(Ø80)

1-2TAPS  
CUSTOMISE: COLOUR, SIZE, FIXATION

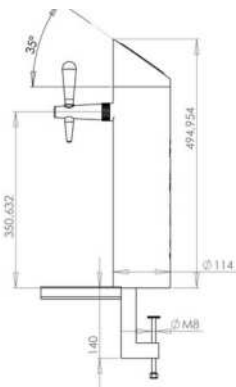
sku EIXS



## ELEGANT I-M(Ø104)

1-3TAPS  
CUSTOMISE: COLOUR, SIZE, FIXATION

sku EIM

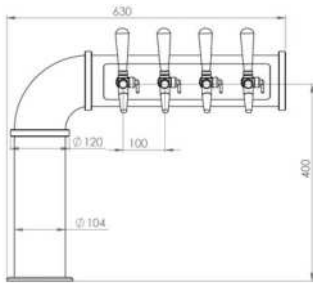


## ELEGANT I-CLAMP

1-2TAPS  
CUSTOMISE: COLOUR, SIZE, FIXATION

sku EIC

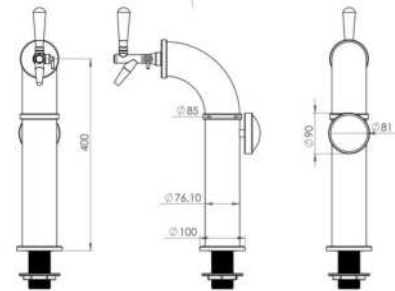




## ELEGANT L

3-6TAPS  
CUSTOMISE: COLOUR, SIZE, FIXATION

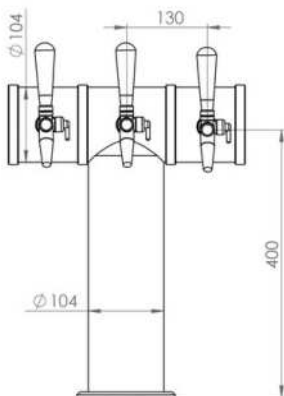
sku EL



## ELEGANT J XS-M

1-2TAPS  
CUSTOMISE: COLOUR, SIZE, FIXATION

sku EJXS

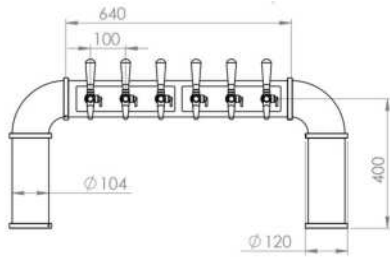


## ELEGANT T

3-9TAPS  
CUSTOMISE: COLOUR, SIZE, FIXATION

sku ET



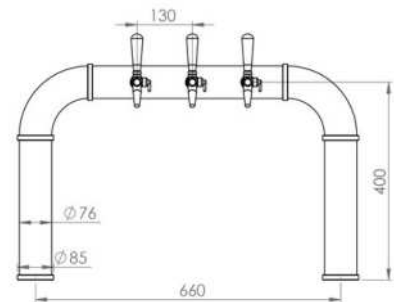


### ELEGANT U-M(Ø104)

3-8TAPS

CUSTOMISE: COLOUR, SIZE, FIXATION

sku EUM

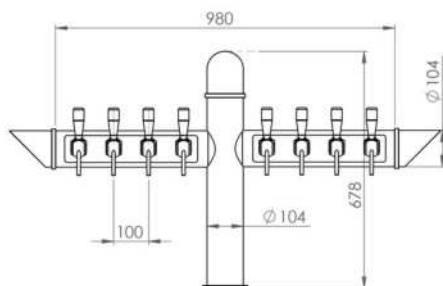


### ELEGANT U-XS(Ø85)

3-6TAPS

CUSTOMISE: COLOUR, SIZE, FIXATION

sku EUXS



### ELEGANT +

5-12TAPS

CUSTOMISE: COLOUR, SIZE, FIXATION

sku E+



# Tailored Line

Tailored sheet metal. Cut, bent, welded and processed in all its glory. Due to its larger shape, it is very suitable for pouring carbonated drinks.



## Colours

- SS- Stainless steel
- PVD Gold
- PVD Copper
- PC- Powder Coated- RAL to select
- WTP-Water transfer printing



## Advertising

- Front Light
- Lollipop Light
- Laser Cut Light
- Digital Light
- Engraved Branding
- Laser Printed
- Wrapped Branding
- Tap Handels



## Mounting

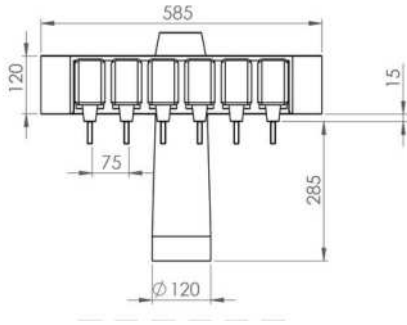
- Mounting Tube
- Mounting Screw
- Mounting Clamp



## 123 Cheers!

- Tap of your Choice
- Water-cooled Lines
- Drainer- Dimensions to select

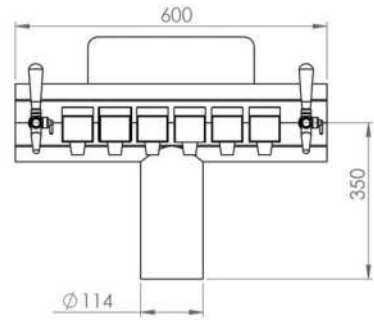




**TAILORED COCA COLA**

4-8TAPS  
 CUSTOMISE: COLOUR, SIZE, FIXATION

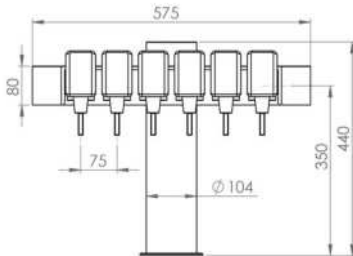
sku TCC



**TAILORED PROBE PLEXI**

3-10TAPS  
 CUSTOMISE: COLOUR, SIZE, FIXATION

sku TPP

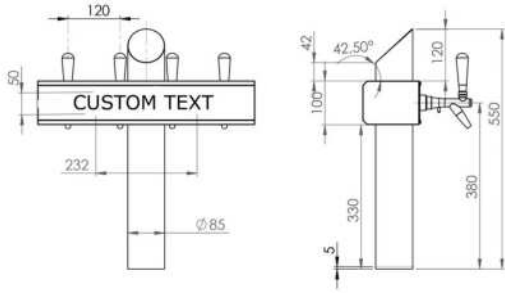


**TAILORED SOFTY HAT**

3-8TAPS  
 CUSTOMISE: COLOUR, SIZE, FIXATION

sku TSH

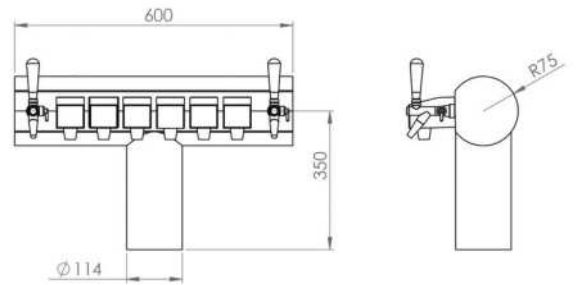




**TAILORED T**

3-6TAPS  
 CUSTOMISE: COLOUR, SIZE, FIXATION

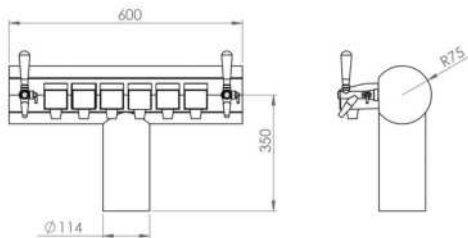
sku TT



**TAILORED PROBE LOLLIPOP**

3-10TAPS  
 CUSTOMISE: COLOUR, SIZE, FIXATION

sku TPL

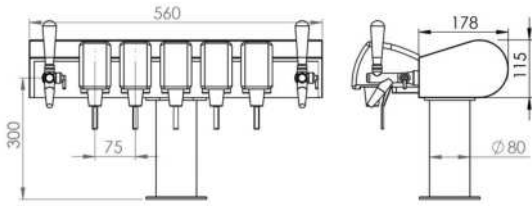


**TAILORED PROBE**

3-10TAPS  
 CUSTOMISE: COLOUR, SIZE, FIXATION

sku TP



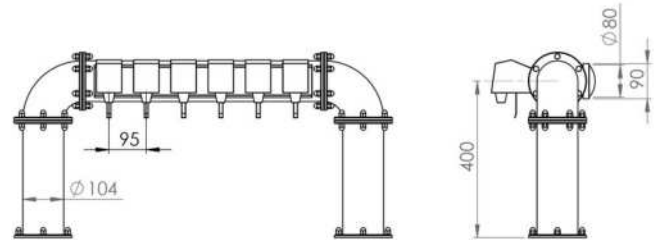


**TAILORED SOFTY OVAL**

3-8TAPS

CUSTOMISE: COLOUR, SIZE, FIXATION

sku TSO

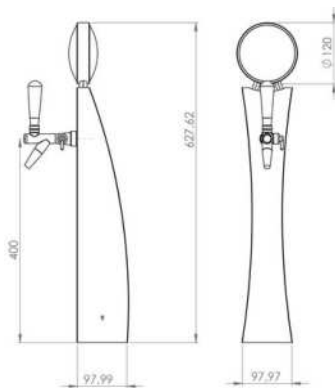


**INDUSTRIAL U SOFTY**

3-12TAPS

CUSTOMISE: COLOUR, SIZE, FIXATION

sku TUS



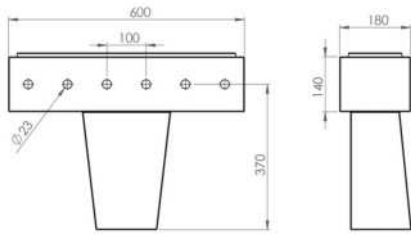
**TAILORED I**

1-2TAPS

CUSTOMISE: COLOUR, SIZE, FIXATION

sku TI





### TAILORED V1

3-12TAPS  
CUSTOMISE: COLOUR, SIZE, FIXATION

sku TV1



### TAILORED +

3-8TAPS  
CUSTOMISE: COLOUR, SIZE, FIXATION

sku T+



### TAILORED V2

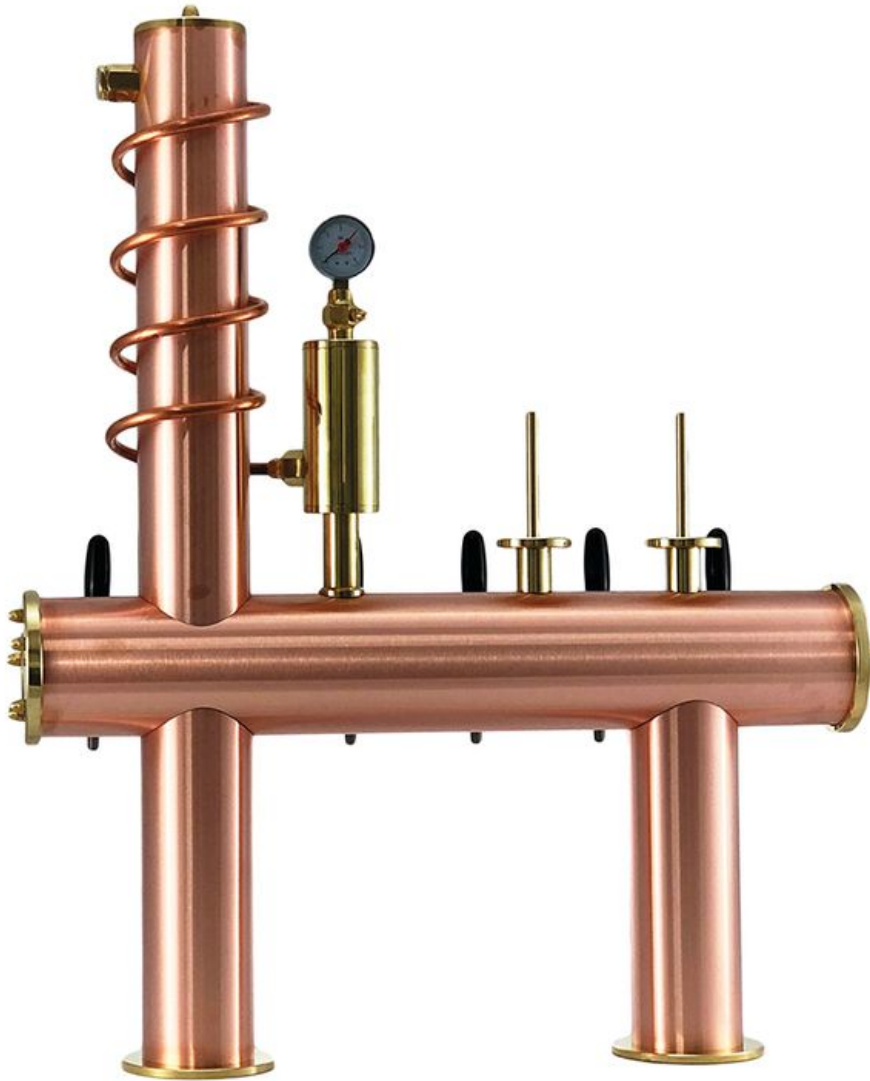
3-12TAPS  
CUSTOMISE: COLOUR, SIZE, FIXATION

sku TV2



# Cooper Line

Real copper material made in industrial style.  
It can be plain, burned or aged- antique look.



## Colours

- SS- Stainless steel
- PVD Gold
- PVD Copper
- PC- Powder Coated- RAL to select
- WTP- Water transfer printing



## Advertising

- Front Light
- Lollipop Light
- Laser Cut Light
- Digital Light
- Engraved Branding
- Laser Printed
- Wrapped Branding
- Tap Handels



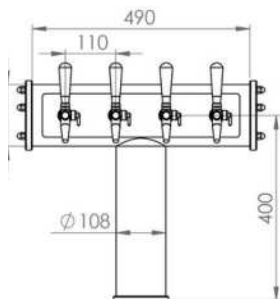
## Mounting

- Mounting Tube
- Mounting Screw
- Mounting Clamp



## 123 Cheers!

- Tap of your Choice
- Water-cooled Lines
- Drainer- Dimensions to select

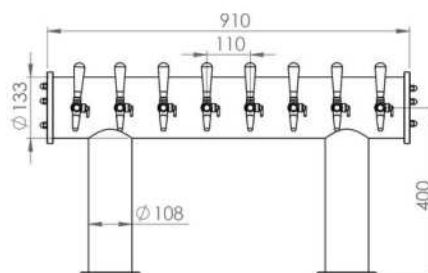
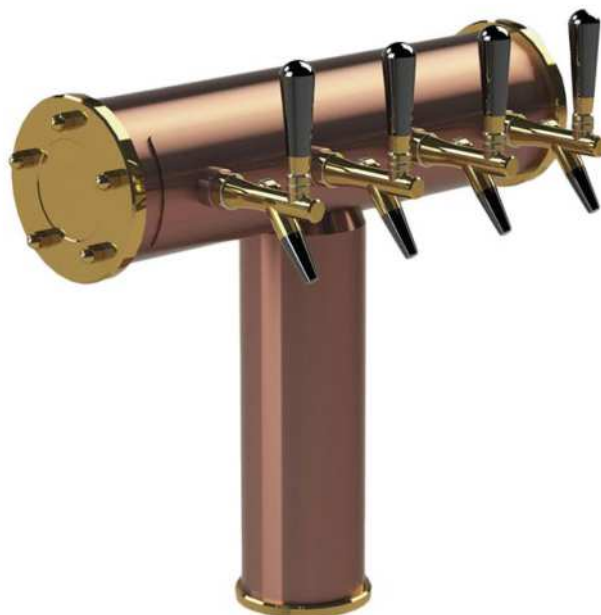


## COOPER T

3-8TAPS

CUSTOMISE: COLOUR( plain, antique, burned),  
SIZE, FIXATION

sku CT

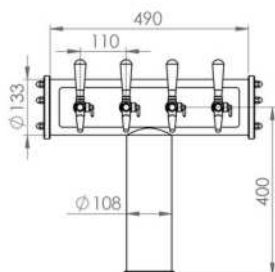


## COOPER H

6-15TAPS

CUSTOMISE: COLOUR( plain, antique, burned),  
SIZE, FIXATION

sku CH



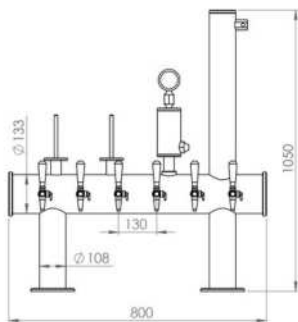
## COOPER T-ANTIQUE

3-10TAPS

CUSTOMISE: COLOUR( plain, antique, burned),  
SIZE, FIXATION

sku CTA



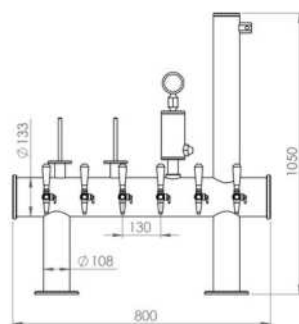


## COOPER TEXAS

4-12TAPS

CUSTOMISE: COLOUR( plain, antique, burned),  
SIZE, FIXATION

sku CTEX

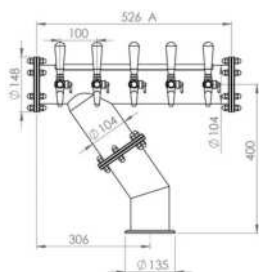


## COOPER TEXAS BURNED

4-12TAPS

CUSTOMISE: COLOUR( plain, antique, burned),  
SIZE, FIXATION

sku CTEXB

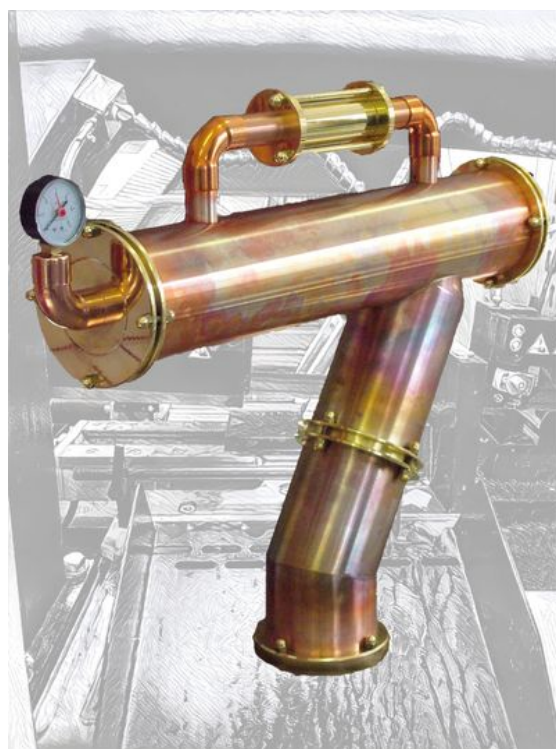


## COOPER 7 BURNED

4-8TAPS

CUSTOMISE: COLOUR( plain, antique, burned),  
SIZE, FIXATION

sku C7B



# House Line

We are constantly developing and designing new attractive models. Our pool of ideas is full. The result are dispensers that are unique and can only be ordered from us.



## Colours

- SS- Stainless steel
- PVD Gold
- PVD Copper
- PC- Powder Coated- RAL to select
- WTP-Water transfer printing



## Advertising

- Front Light
- Lollipop Light
- Laser Cut Light
- Digital Light
- Engraved Branding
- Laser Printed
- Wrapped Branding
- Tap Handels



## Mounting

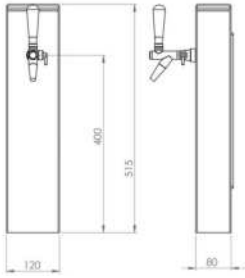
- Mounting Tube
- Mounting Screw
- Mounting Clamp



## 123 Cheers!

- Tap of your Choice
- Water-cooled Lines
- Drainer- Dimensions to select



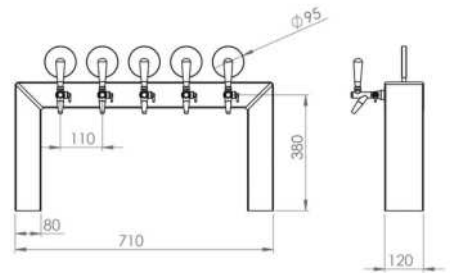


## CHAMFER I

1TAP

CUSTOMISE: COLOUR, SIZE, FIXATION

sku HCI

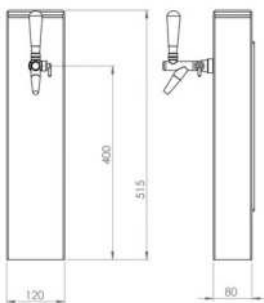


## CHAMFER U

3-8TAPS

CUSTOMISE: COLOUR, SIZE, FIXATION

sku HCU



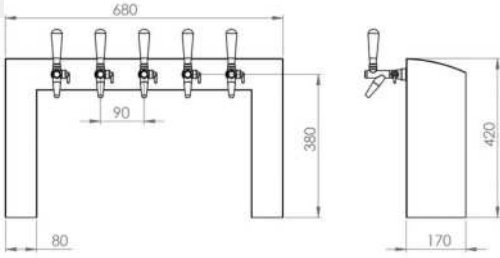
## CHAMFER I2

1TAP

CUSTOMISE: COLOUR, SIZE, FIXATION

sku HCI2

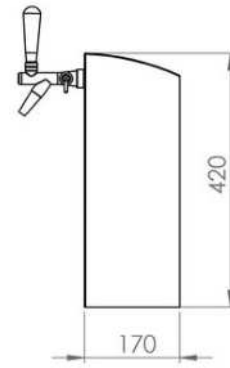




**CHAMFER U2**

3-10TAPS  
 CUSTOMISE: COLOUR, SIZE, FIXATION

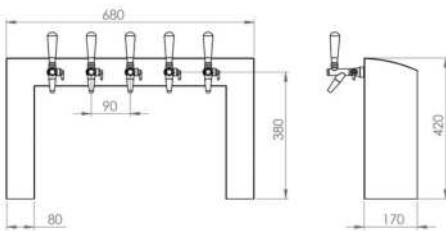
sku HCU2



**SLEEK I**

1TAP  
 CUSTOMISE: COLOUR, SIZE, FIXATION

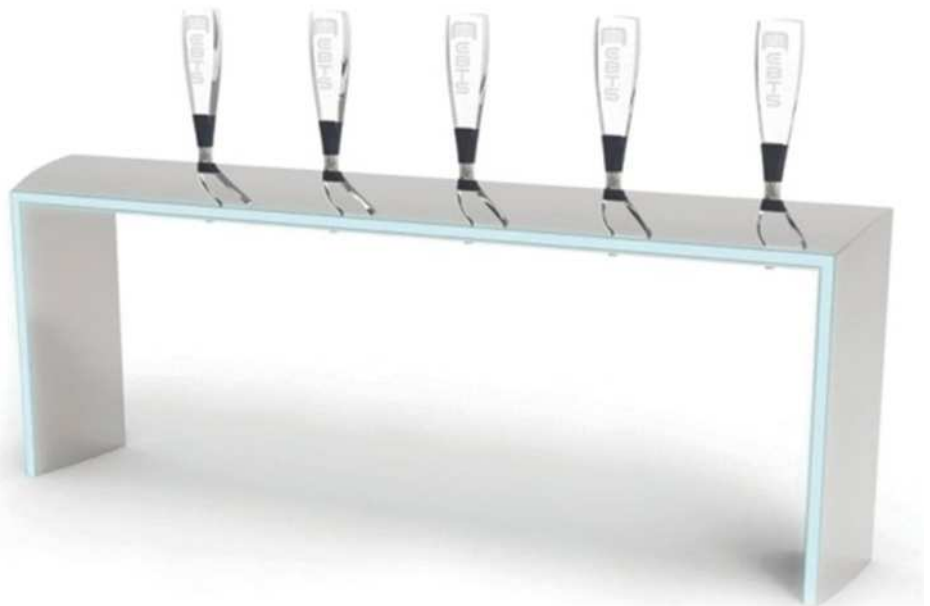
sku HSI



**SLEEK U**

3-8TAPS  
 CUSTOMISE: COLOUR, SIZE, FIXATION

sku HSU



# NEW 2024

Full of new ideas every year. Dispenser is a mirror of the bar and represent the image of your brand. We strive for an attractive appearance and thereby maintain all functionality and quality. These are this year's hot buns.



## Colours

- SS- Stainless steel
- PVD Gold
- PVD Copper
- PC- Powder Coated- RAL to select
- WTP-Water transfer printing



## Advertising

- Front Light
- Lollipop Light
- Laser Cut Light
- Digital Light
- Engraved Branding
- Laser Printed
- Wrapped Branding
- Tap Handels



## Mounting

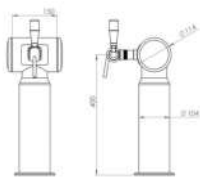
- Mounting Tube
- Mounting Screw
- Mounting Clamp



## 123 Cheers!

- Tap of your Choice
- Water-cooled Lines
- Drainer- Dimensions to select

# NEW 2024- BOTTLENECK

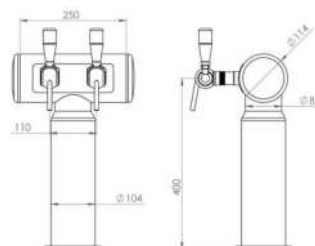


## BOTTLENECK T1

1TAP

CUSTOMISE: COLOUR, SIZE, FIXATION

sku BT1

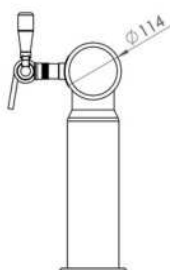
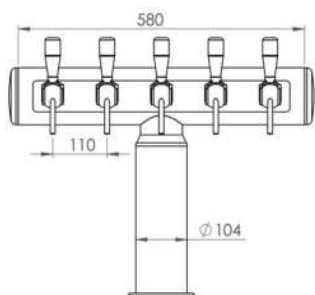


## BOTTLENECK T2

2TAPS

CUSTOMISE: COLOUR, SIZE, FIXATION

sku BT2



## BOTTLENECK T

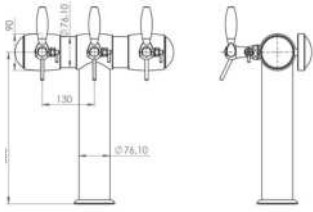
3-10TAPS

CUSTOMISE: COLOUR, SIZE, FIXATION

sku BT



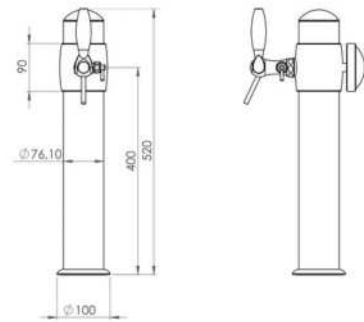
# NEW 2024- ELEMENT



## ELEMENT T

3-8TAP  
CUSTOMISE: COLOUR, SIZE, FIXATION

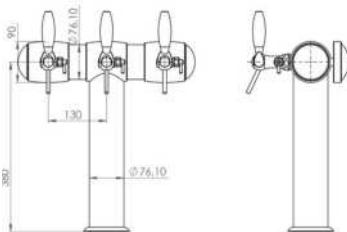
sku ET



## ELEMENT I

1TAPS  
CUSTOMISE: COLOUR, SIZE, FIXATION

sku EI



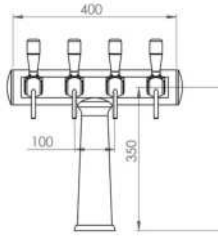
## ELEMENT T-PVD GOLD

3-8TAPS  
CUSTOMISE: COLOUR, SIZE, FIXATION

sku ET



# NEW 2024-FUNNEL

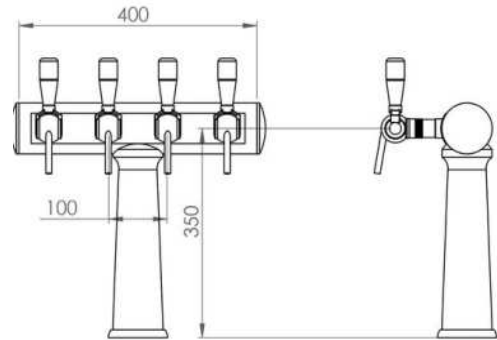


## FUNNEL T2

2TAPS

CUSTOMISE: COLOUR, SIZE, FIXATION

sku FT2

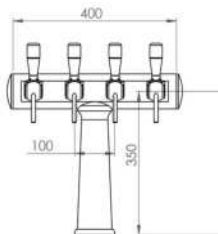


## FUNNEL T

3-8TAPS

CUSTOMISE: COLOUR, SIZE, FIXATION

sku FT



## FUNNEL T2

2TAPS

CUSTOMISE: COLOUR, SIZE, FIXATION

sku FT2



# NEW 2024-CFT



## CFT T

2-5TAPS

CUSTOMISE: COLOUR, SIZE, FIXATION

sku CFTT



## CFT I

1-2TAPS

CUSTOMISE: COLOUR, SIZE, FIXATION

sku CFTI



## CFT T

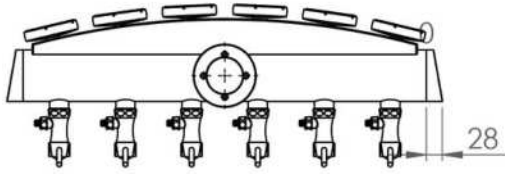
2-5TAPS

CUSTOMISE: COLOUR, SIZE, FIXATION

sku CFTT



# NEW 2024-ARC

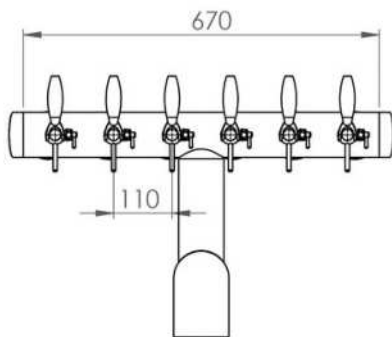
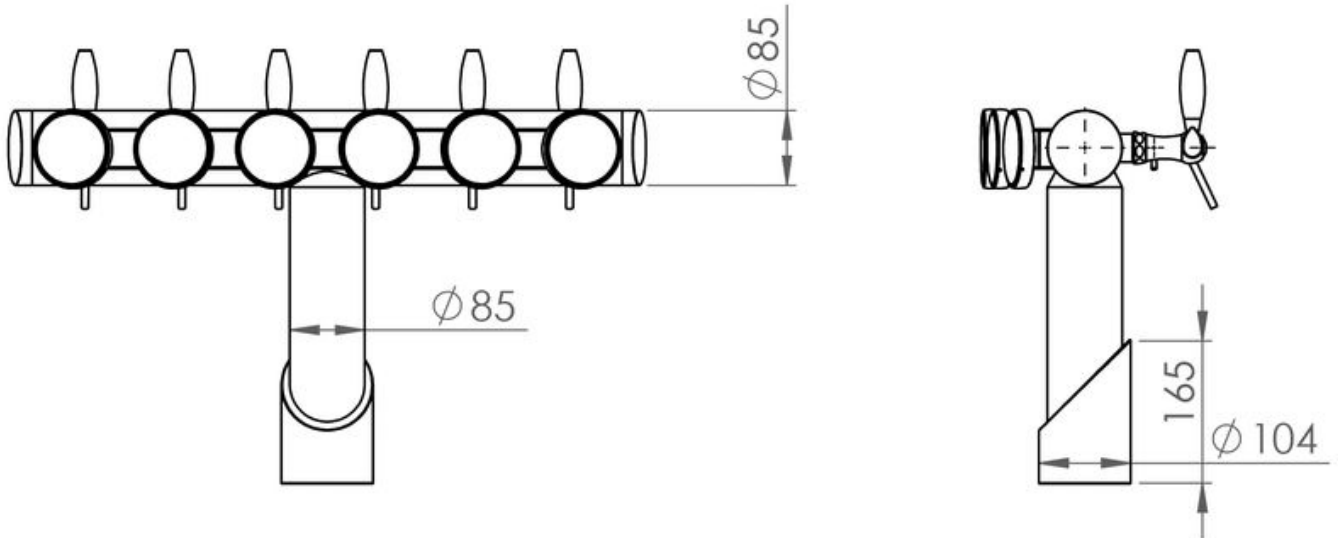


## ARC T

3-6TAPS

CUSTOMISE: COLOUR, SIZE, FIXATION

sku ARCT



## ARC T

3-6TAPS

CUSTOMISE: COLOUR, SIZE, FIXATIO

sku ARCT





# Our work- let your imagination run wild

Almost every model can be customised to your liking. Indeed, all parameters are optional (size, colour, branding, attachment). Here are some unique results.



## Colours

- SS- Stainless steel
- PVD Gold
- PVD Copper
- PC- Powder Coated- RAL to select
- WTP-Water transfer printing



## Advertising

- Front Light
- Lollipop Light
- Laser Cut Light
- Digital Light
- Engraved Branding
- Laser Printed
- Wrapped Branding
- Tap Handels



## Mounting

- Mounting Tube
- Mounting Screw
- Mounting Clamp



## 123 Cheers!

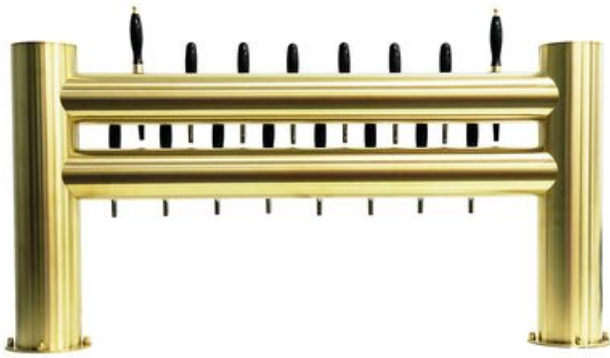
- Tap of your Choice
- Water-cooled Lines
- Drainer- Dimensions to select



Basic H-Red



Basic L-Black, Laser cut light



Basic H2- PVD Gold



Industrial T-Pink/  
Polished flanges



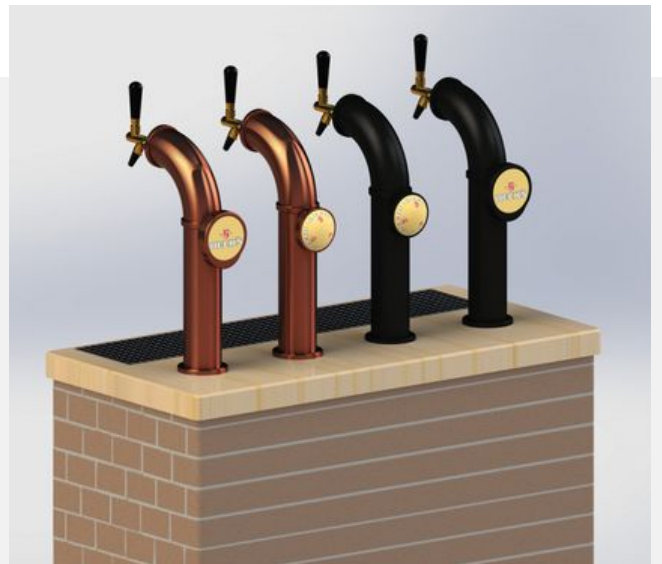
Industrial U-XS-  
Violet/Brushed flanges



Industrial 7-Black



Basic Tree -Black



Elegant J-Black, front light



Basic Cactus- Green



Basic Capsula, Green



Industrial T2-PVD  
Copper



Industrial U-Blue,  
Lollipop light



Angled LL-Black/Orange



Elegant U-xs-PVD  
Copper



Industrial U-Red,  
Lollipop light



Industrial U-M,  
Black/Brushed flanges



Elegant T- PC  
Antique, Front light



Basic I- Black,  
Laser cut light



Basic I- White, Laser cut light



Basic I-Black, Laser cut light, Front light



Silo-Cream, Laser cut light, Front integrated light



Tailored Fatty- White, Front integrated light



Industrial I-Black, Lollipop light, Laser cut light



Basic I-Black, Laser cut light



Basic I-Kirin Laser cut light



Angled I-Kirin Engraving



Industrial I2- Engraved/laser printed



Angled I- Acrylic top engraved light, WTP wood



Basic I-Panorama light, Front light



Element I-Heineken, Front light

# Illuminated Branding

The choice of branding is large and offers endless presentation possibilities



## Front Light

- flat & fish eye shape
- different dimensions: 65, 80, 82mm
- illuminated & non-illuminated
- optional- integrated



## Lollipop Light

- flat & fish eye shape
- one & double sided
- different dimensions: 65, 80, 82mm
- illuminated & non-illuminated



## Laser Cut Light

Text, logo or panel can be cut out.

We play with different colours and foil designs to give the illuminated surface a good look



## Digital Light

Connect with your customers in matters of seconds with dynamic content. Wifi upload to all the bars no matter of where they are.

# Non-Illuminated Branding



## Engraved Branding

Laser engraving is a branding method where the logo is burned into the material. The result is very precise. The colour of the produced logo depends on the substrate and the lower layers of the workpiece.



## Laser Printed Branding

A decorative technique that allows you to apply detailed patterns and artwork onto all models. It makes the look of the same model completely different.



## Wrapped Branding

A decorative technique that allows you to apply detailed patterns and artwork onto all models. It makes the look of the same model completely different.



## Tap Handles

Good presentation option. Suits all taps models as it has a universal thread. They are available in various materials- wood, plastic, metal. Colours, shapes and sizes to select.





*Thank you*

FOR CHOOSING .

*Cheers!*

if you think you have seen  
it all, flip again



EBTS D.O.O.  
Ljubljanska 45D  
Kamnik 1241  
Slovenia  
EU

CONTACT US:  
[info@ebts.si](mailto:info@ebts.si)  
+386(0)51 682 860  
+386(0)1 830 11 15  
[www.draftbeertowers.com](http://www.draftbeertowers.com)